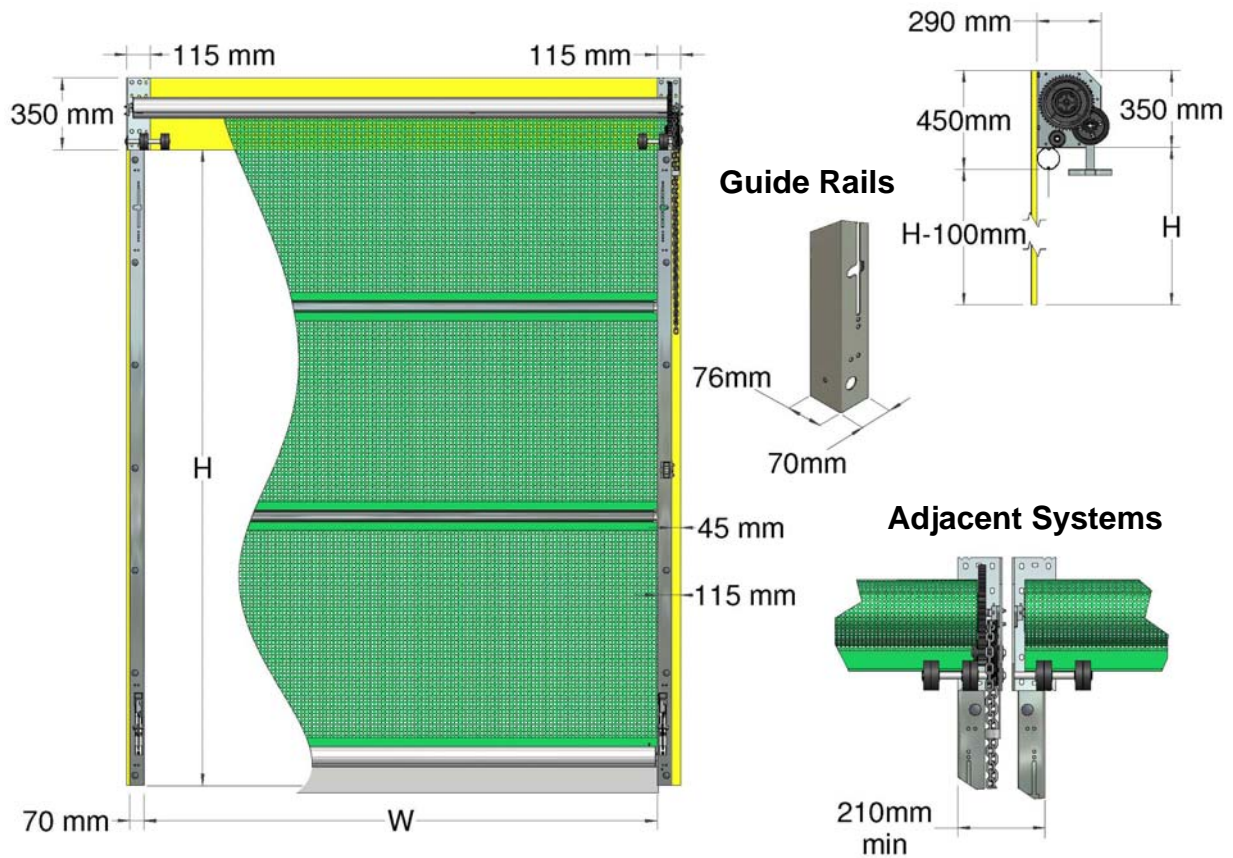


Pre-Installation Check

Figure 2 indicates space required to install your Agridoor, with additional information for mounting multiple doors in series.



ENG

Order Width (m)	Fabric Width, W (m)
2.5	2.5
3.0	3.0
3.5	3.5
4.0	4.0
4.5	4.5
5.0	5.0
5.5	5.5
6.0	6.0

Order Height (m)	Max Height, H (m)
3.1	3.1
4.1	4.1
5.1	5.1
6.1	6.1

Figure 2, Fitting Requirements